

RE



SPECIFICATION

宏致電子股份有限公司

桃園縣中壢市東園路13號

No.13, Dongyuan Rd., Jhongli City,

Taoyuan County 320, Taiwan (R.O.C.)

TEL: +886-3-463-2808

FAX: +886-3-463-1800

SPEC. NO.: PS-50419-XXXXX-XXX REVISION: H

PRODUCT NAME: 1.00 mm PITCH WTB WAFER CONN

PRODUCT NO: 50419,50420,51408,51409 SERIES

PREPARED: Xu,Zhonglin DATE: 2020/08/05	CHECKED: LU,JING QUAN DATE: 2020/08/05	APPROVED: HSIEH,FU YU DATE: 2020/08/05
---	---	---



TITLE: **1.0 mm PITCH WTB CONNECTOR**

RELEASE DATE: 2020/08/05

REVISION: H

ECN No: ECN-2008132

PAGE: **2** OF **16.**

1	REVISION HISTORY	3
2	SCOPE.....	4
3	APPLICABLE DOCUMENTS	4
4	REQUIREMENTS	4
5	PERFORMANCE	5
6	INFRARED REFLOW CONDITION.....	8
7	PRODUCT QUALIFICATION AND TEST SEQUENCE.....	9
8	MATING / UNMATING FORCE.....	10
9	ANATOMY OF CRIMPING TERMINAL.....	11
10	APPLICABLE WIRES: UL10584 ETFE WIRE.....	11
11	CRIMPING CONDITION	12
12	CRIMPING HEIGHT MEASUREMENT	13
13	PULL FORCE OF CRIMPING SECTION MEASUREMENT	14
14	STANDARD INSULATION CRIMPING	14
15	CONDUCTORS CRIMPING CONDITION.....	15
16	CRIMPING REQUIREMENT	16



Aces P/N: **50419;50420;51408;51409 series**

TITLE: **1.0 mm PITCH WTB CONNECTOR**

RELEASE DATE: 2020/08/05

REVISION: H

ECN No: ECN-2008132

PAGE: **3** OF **16.**

1 REVISION HISTORY

Rev.	ECN #	Revision Description	Prepared	Date
1	ECN-1109133	PROPOSAL	GAVIN	2011/09/21
O	ECN-1109133	RELEASE	GAVIN	2011/12/05
A	ECN-1202091	DELETE 50487 SERIES	GAVIN	2012/02/09
B	ECN-1401187	ADD WORKING VOLTAGE	XUFEI	2014/01/14
C	ECN-1502012	ADD 24PIN MATING/UNMATING FORCE	TANGENHUI	2015/02/03
D	ECN-1603101	ADD 10PIN	TANGENHUI	2015/05/25
E	ECN-1809221	ADD Gold plating 3 u” for 48 hours Item	Lu,Jing Quan	2018/09/15
F	ECN-1903140	ADD 14PIN,06PIN	Huang,Shun Sen	2019/03/11
G	ECN-1905345	ADD P/N:51408,51409	Xu,Zhonglin	2019/05/21
H	ECN-2008132	CHANGE WIRE MODEL	Xu,Zhonglin	2020/08/05

TITLE: **1.0 mm PITCH WTB CONNECTOR**

RELEASE DATE: 2020/08/05

REVISION: H

ECN No: ECN-2008132

PAGE: 4 OF 16.

2 SCOPE

This specification covers performance, tests and quality requirements for **1.0 mm pitch WTB connector**.

3 APPLICABLE DOCUMENTS

EIA-364: ELECTRONICS INDUSTRIES ASSOCIATION

4 REQUIREMENTS

4.1 Design and Construction

- 4.1.1 Product shall be of design, construction and physical dimensions specified on applicable product drawing.
- 4.1.2 All materials conform to R.o.H.S. and the standard depends on TQ-WI-140101.

4.2 Materials and Finish

- 4.2.1 Contact: High performance copper alloy.
Finish: (a) Contact Area: [Refer to the drawing](#).
(b) Under plate: [Refer to the drawing](#).
(c) Solder area: [Refer to the drawing](#).
- 4.2.2 Housing: Thermoplastic or Thermoplastic High Temp., UL94V-0
- 4.2.3 Fitting Nail: [Copper Alloy](#),
Finish: [Refer to the drawing](#).

4.3 Ratings

- 4.3.1 [Working voltage less than 36 volts \(per pin\)](#)
- 4.3.2 Voltage: [50 Volts AC \(per pin\)](#)
- 4.3.3 Current: [AWG#28: 1.0 Amperes \(per pin\)](#)
[AWG#30 : 1.0 Amperes \(per pin\)](#)
[AWG#32 : 1.0 Amperes \(per pin\)](#)
- 4.3.4 Operating Temperature : [-40°C to +85°C](#)

TITLE: **1.0 mm PITCH WTB CONNECTOR**

RELEASE DATE: 2020/08/05

REVISION: H

ECN No: ECN-2008132

PAGE: 5 OF 16.

5 Performance

5.1. Test Requirements and Procedures Summary

Item	Requirement	Standard
Examination of Product	Product shall meet requirements of applicable product drawing and specification.	Visual, dimensional and functional per applicable quality inspection plan.
ELECTRICAL		
Item	Requirement	Standard
Low Level Contact Resistance	55 m Ω Max.(initial)per contact ΔR 20 m Ω Max.	Mate connectors, measure by dry circuit, 20mV Max., 100mA Max. (EIA-364-23)
Insulation Resistance	500 M Ω Min.	Unmated connectors, apply 500 V DC between adjacent terminals. (EIA-364-21)
Dielectric Withstanding Voltage	No discharge, flashover or breakdown. Current leakage: 1 mA max.	300V AC Min. at sea level for 1 minute. Test between adjacent contacts of unmated connectors. (EIA-364-20)
Temperature Rise	30°C Max. Change allowed	Mate connector: measure the temperature rise at rated current until temperature stable. The ambient condition is still air at 25°C (EIA-364-70,METHOD1,CONDITION1)
MECHANICAL		
Item	Requirement	Standard
Durability	30 cycles.	The sample should be mounted in the tester and fully mated and unmated the number of cycles specified at the rate of 25.4 \pm 3mm/min.
Mating / Unmating Forces	Please see Item 8	Operation Speed : 25.4 \pm 3 mm/minute.. Measure the force required to mate/unmate connector. (EIA-364-13)
Contact Retention Force (Board Side)	0.40 Kgf Min.	Operation Speed : 25.4 \pm 3 mm/minute. Measure the contact retention force with tester.
Fitting Nail /Housing Retention Force	0.20 Kgf MIN.	Apply axial pull out force at the speed rate of 25.4 \pm 3 mm/minute. On the fitting nail assembled in the housing.



Aces P/N: **50419;50420;51408;51409 series**

TITLE: **1.0 mm PITCH WTB CONNECTOR**

RELEASE DATE: 2020/08/05

REVISION: H

ECN No: ECN-2008132

PAGE: 6 OF 16.

Crimping Terminal / Housing Retention Force (Cable Side)	0.6 Kgf MIN.	Apply axial pull out force at the speed rate of 25.4 ± 3 mm/minute. On the terminal assembled in the housing.
Crimping Pull Out Force	AWG# 32: 0.6Kgf Min. AWG# 30: 0.8Kgf Min. AWG# 28: 1.0Kgf Min.	Operation Speed : 25.4 ± 3 mm/minute. Fix the crimped terminal, apply axial pull out force on the wire.
Vibration	1 µs Max.	The electrical load condition shall be 100 mA maximum for all contacts. Subject to a simple harmonic motion having amplitude of 0.76mm (1.52mm maximum total excursion) in frequency between the limits of 10 and 55 Hz. The entire frequency range, from 10 to 55 Hz and return to 10 Hz, shall be traversed in approximately 1 minute. This motion shall be applied for 2 hours in each of three mutually perpendicular directions. (EIA-364-28 Condition I)
Shock (Mechanical)	1 µs Max.	Subject mated connectors to 50 G's (peak value) half-sine shock pulses of 11 milliseconds duration. Three shocks in each direction shall be applied along the three mutually perpendicular axes of the test specimen (18 shocks). The electrical load condition shall be 100mA maximum for all contacts. (EIA-364-27, test condition A)

ENVIRONMENTAL

Item	Requirement	Standard
Resistance to Reflow Soldering Heat (Board Side)	See Product Qualification and Test Sequence Group 10 (Lead Free)	Pre Heat : 150°C~180°C, 60~120sec. Heat : 230°C Min., 40sec Min. Peak Temp. : 260°C Max, 10sec Max.
Thermal Shock	See Product Qualification and Test Sequence Group 4	Mate module and subject to follow condition for 5 cycles. 1 cycles: -55 +0/-3 °C, 30 minutes +85 +3/-0 °C, 30 minutes (EIA-364-32, test condition I)
Humidity	See Product Qualification and Test Sequence Group 4	Mated Connector 40°C, 90~95% RH, 96 hours. (EIA-364-31,Condition A, Method II)

TITLE: **1.0 mm PITCH WTB CONNECTOR**

RELEASE DATE: 2020/08/05

REVISION: H

ECN No: ECN-2008132

PAGE: 7 OF 16.

Temperature Life	See Product Qualification and Test Sequence Group 5	Subject mated connectors to temperature life at 85°C for 96 hours. (EIA-364-17, Test condition A)
Salt Spray (Only For Gold Plating)	See Product Qualification and Test Sequence Group 6	Subject mated/unmated connectors to 5% salt-solution concentration, 35°C (I) Gold flash for 8 hours (II) Gold plating 3 u" for 48 hours. (III) Gold plating 5 u" for 96 hours. (EIA-364-26)
Solder ability (Board Side)	Tin plating: Solder able area shall have minimum of 95% solder coverage. Gold plating: Solder able area shall have minimum of 75% solder coverage	And then into solder bath, Temperature at 245 ±5°C, for 4-5 sec. (EIA-364-52)
Hand Soldering Temperature Resistance (Board Side)	Appearance: No damage	T ≥ 350°C, 3sec at least.

Note. Flowing Mixed Gas shall be conducted by customer request.

TITLE: **1.0 mm PITCH WTB CONNECTOR**

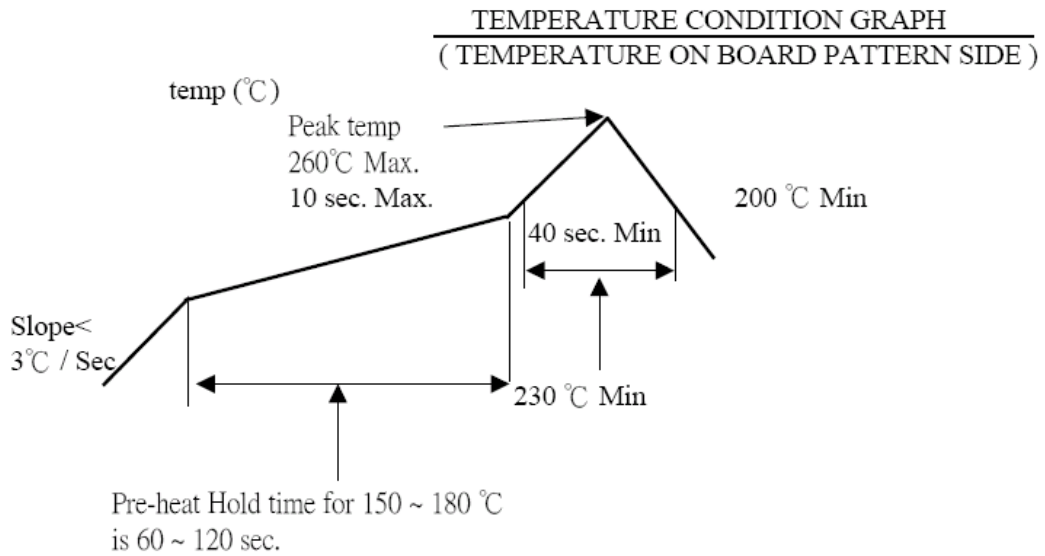
RELEASE DATE: 2020/08/05

REVISION: H

ECN No: ECN-2008132

PAGE: **8** OF **16.**

6 INFRARED REFLOW CONDITION



TITLE: **1.0 mm PITCH WTB CONNECTOR**

RELEASE DATE: 2020/08/05

REVISION: H

ECN No: ECN-2008132

PAGE: 9 OF 16.

7 PRODUCT QUALIFICATION AND TEST SEQUENCE

Test or Examination	Test Group										
	1	2	3	4	5	6	7	8	9	10	11
	Test Sequence										
Examination of Product				1、7	1、6	1、4				1	1
Low Level Contact Resistance		1、5	1、4	2、10	2、9	2、5				3	
Insulation Resistance				3、9	3、8						
Dielectric Withstanding Voltage				4、8	4、7						
Temperature Rise	1										
Mating / Unmating Force		2、4									
Durability		3									
Contact Retention Force (Board Side)									3		
Vibration			2								
Shock (Mechanical)			3								
Thermal Shock				5							
Humidity				6							
Temperature Life					5						
Salt Spray(Only For Gold Plating)						3					
Solder ability							1				
Crimping Pull Out Force								1			
Crimping Terminal / Housing Retention Force (Cable Side)									1		
Fitting Nail /Housing Retention Force									2		
Resistance to Soldering Heat (Board Side)										2	
Hand Soldering Temperature Resistance (Board Side)											2
Sample Size	2	4	4	4	4	4	2	4	4	4	4

TITLE: **1.0 mm PITCH WTB CONNECTOR**

RELEASE DATE: 2020/08/05

REVISION: H

ECN No: ECN-2008132

PAGE: 10 OF 16.

8 MATING / UNMATING FORCE

Number of circuits	At initial		At 30th
	Mating Force. kgf. (Max.)	Unmating Force kgf. (Min.)	Unmating Force kgf. (Min.)
06	2.50	0.18	0.13
10	2.50	0.20	0.15
14	2.70	0.23	0.17
20	3.00	0.30	0.20
24	3.20	0.36	0.26
30	3.50	0.45	0.35
40	4.00	0.60	0.50
50	4.50	0.75	0.65

TITLE: **1.0 mm PITCH WTB CONNECTOR**

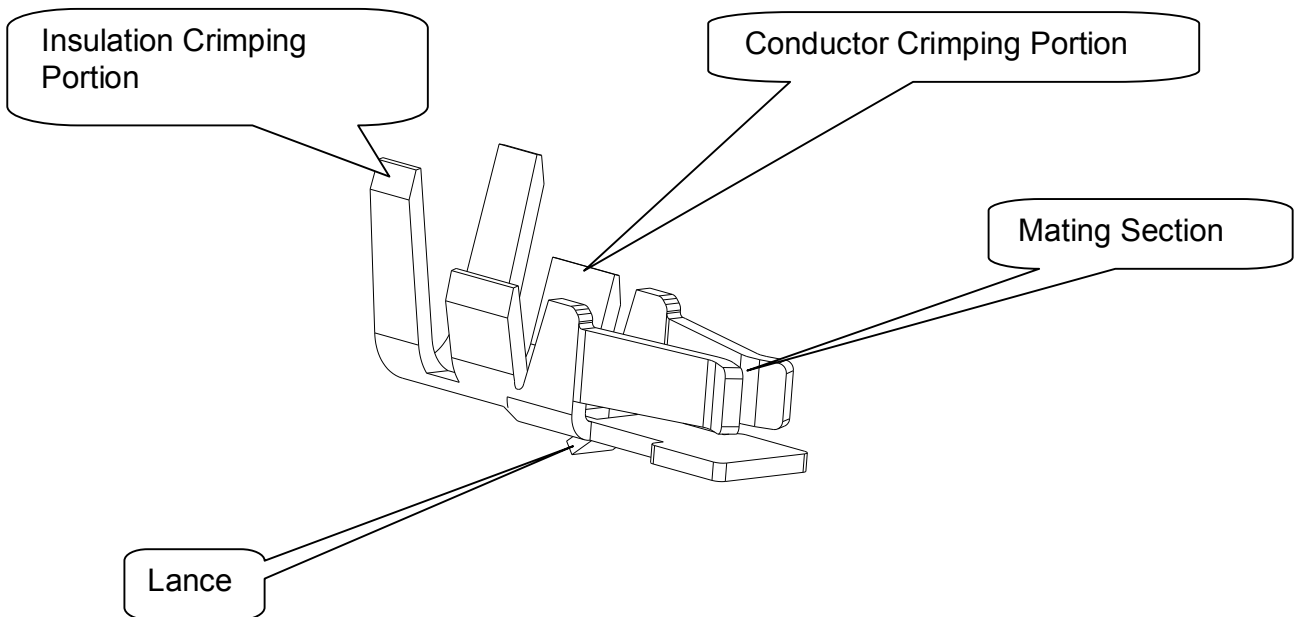
RELEASE DATE: 2020/08/05

REVISION: H

ECN No: ECN-2008132

PAGE: 11 OF 16.

9 ANATOMY OF CRIMPING TERMINAL



10 APPLICABLE WIRES: UL10584 ETFE WIRE

AWG Size: AWG#28~ AWG#32

Insulation OD: $\Phi 0.4 \sim \Phi 0.8 \text{mm}$

TITLE: **1.0 mm PITCH WTB CONNECTOR**

RELEASE DATE: 2020/08/05

REVISION: H

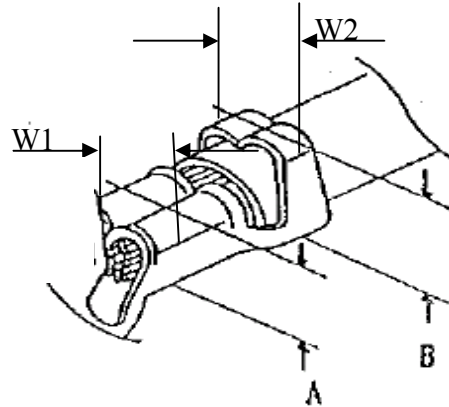
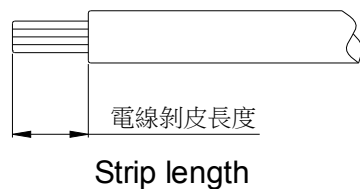
ECN No: ECN-2008132

PAGE: 12 OF 16.

11 CRIMPING CONDITION

鉚線條件表 CRIMPING CONDITION

Part Number	Wire Specification			Crimp Height (mm)		Crimp Width (mm)	
	UL Style	AWG Size	Insulation OD(mm)	Conductor A	Insulation B	Conductor W1	Insulation W2
50420-Txxx	UL10064	32	0.55	0.52~0.57	0.70~0.90	0.75 Max.	0.80 Max.
50420-Txxx	UL10064	30	0.60	0.57~0.62	0.90~1.10	0.75 Max.	0.80 Max.
50420-Txxx	UL10064	28	0.70	0.62~0.67	1.10~1.30	0.75 Max.	0.80 Max.



Note:

- 1、W1為芯線導體鉚壓後之寬度(Conductor Crimping Width)：W1值如上表
- 2、W2為電線外被部分鉚壓後之寬度(Insulation Crimping Width)：W2值如上表
- 3、A為芯線導體鉚壓後之高度(Conductor Crimping height)：A值如上表(參考值)
- 4、B為電線外被鉚壓後之高度(Insulation Crimping height)：B值如上表(參考值)
- 5、電線剝皮長度(Strip length)：1.2~1.6mm(參考值)

TITLE: **1.0 mm PITCH WTB CONNECTOR**

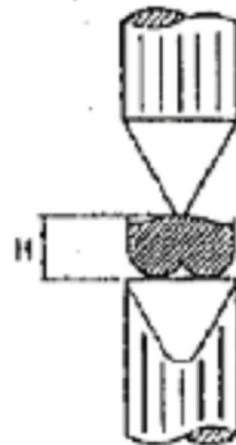
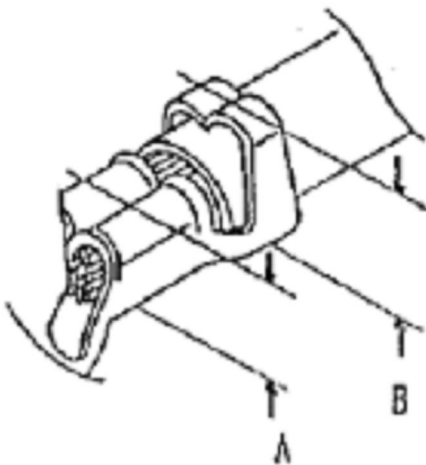
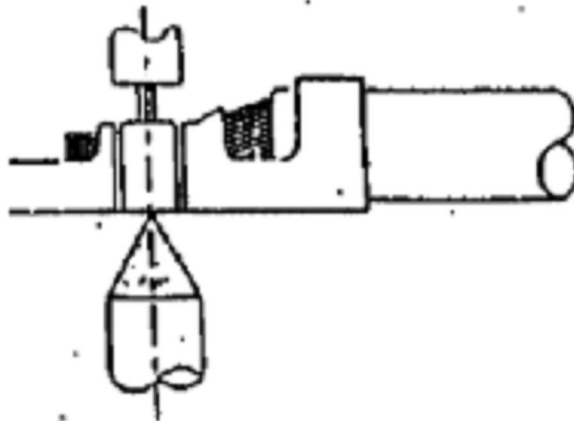
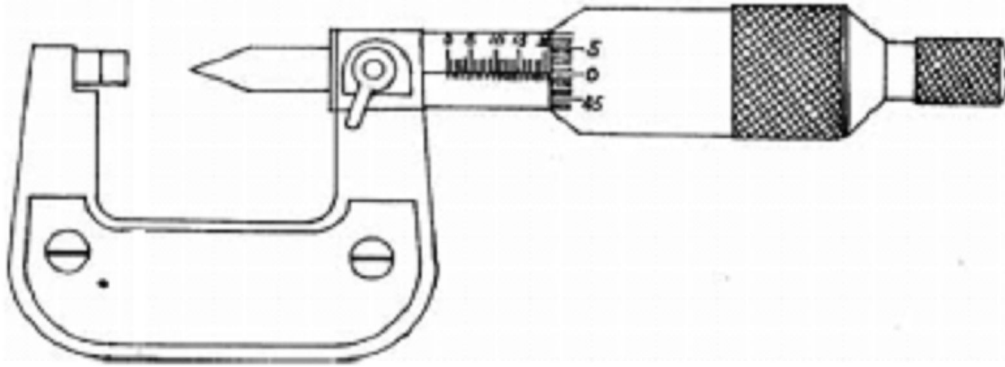
RELEASE DATE: 2020/08/05

REVISION: H

ECN No: ECN-2008132

PAGE: **13** OF **16**.

12 CRIMPING HEIGHT MEASUREMENT



TITLE: **1.0 mm PITCH WTB CONNECTOR**

RELEASE DATE: 2020/08/05

REVISION: H

ECN No: ECN-2008132

PAGE: 14 OF 16.

13 PULL FORCE OF CRIMPING SECTION MEASUREMENT

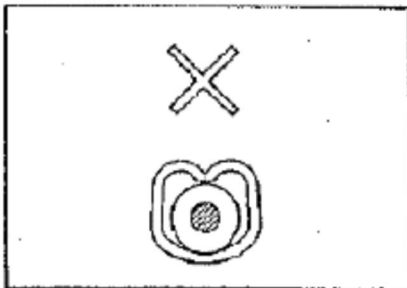


Before test samples, please measure crimp height and do not crimp insulation.

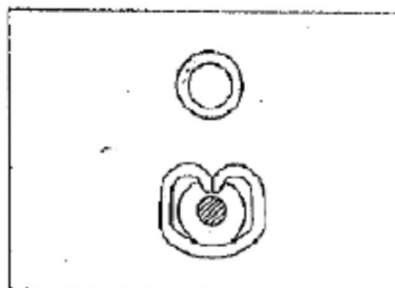


Pull Force of Crimp Section Measurement

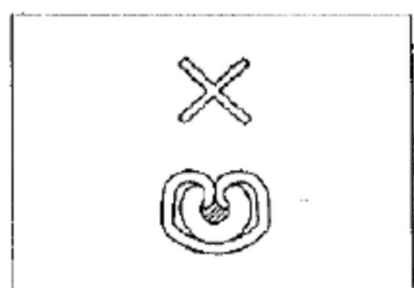
14 STANDARD INSULATION CRIMPING



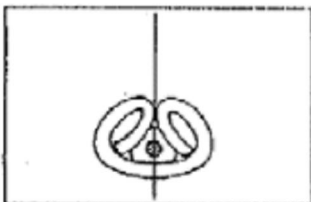
Not enough crimp



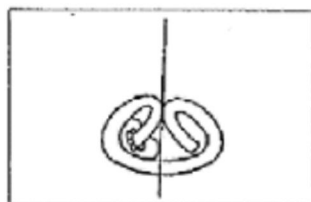
Good



Crimp too much

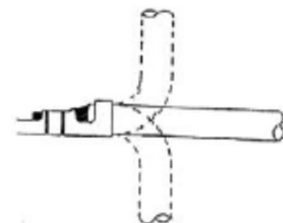


Good



NG

Insulation Crimp Condition



As following figure shown. It is no problem if wire bent up down 90 degrees 1 cycle and insulation position still in ideal position.

TITLE: **1.0 mm PITCH WTB CONNECTOR**

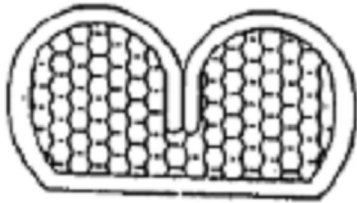
RELEASE DATE: 2020/08/05

REVISION: H

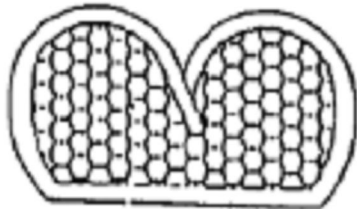
ECN No: ECN-2008132

PAGE: 15 OF 16.

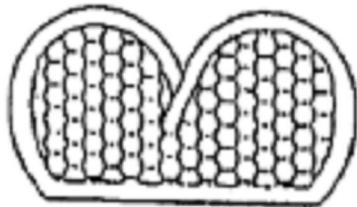
15 CONDUCTORS CRIMPING CONDITION



○ Good



× NG



× NG

Lower conduct
retension force



Good



Large burr NG

TITLE: **1.0 mm PITCH WTB CONNECTOR**

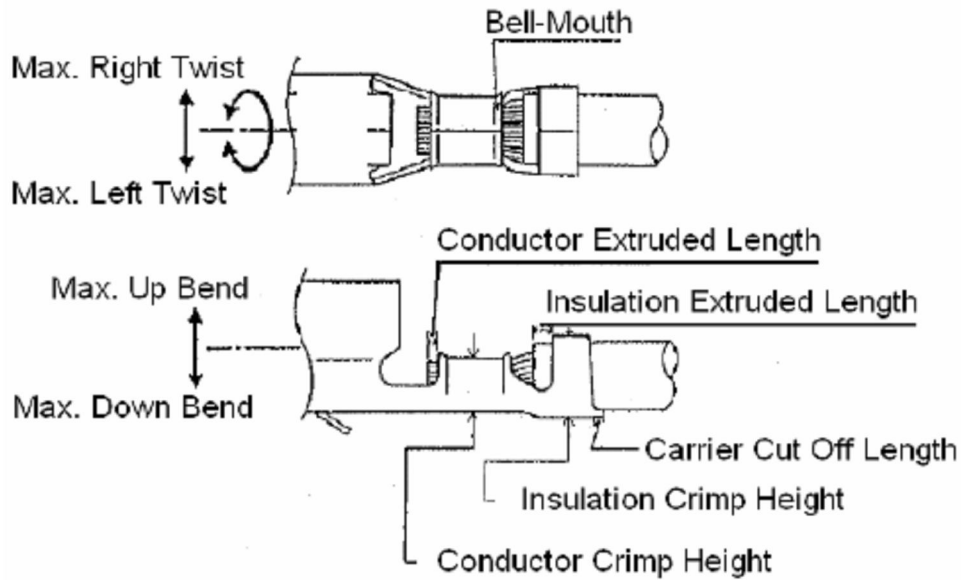
RELEASE DATE: 2020/08/05

REVISION: H

ECN No: ECN-2008132

PAGE: **16** OF **16**.

16 CRIMPING REQUIREMENT



Item	Range(Ref.)
Max. Up Bend	6°
Max. Down Bend	6°
Max. Left Twist	5°
Max. Right Twist	5°
Bell-Mouth Length	0.1~0.30mm
Carrier Cut Off Length	0~0.2mm
Conductor Extruded Length	0.05~0.20mm